



PT1K Panasonic TTL Kit

Item number 46031

Included in the Box

- TTL Kit with Hotshoe
- 1/16" Hex Key

Compatible Housing

- DL200 Housing for Panasonic Lumix GH5 # 71305

Compatible Strobes

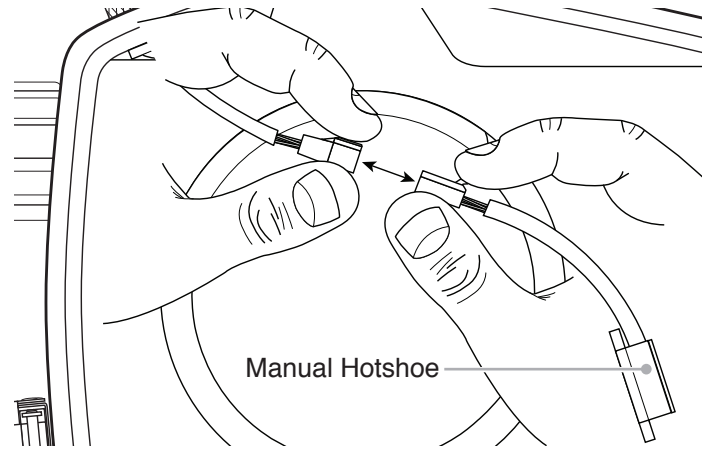
- Ikelite DS160, DS161
 - Ikelite DS125 above serial number 5000
 - Ikelite DS51
 - Ikelite DS50 above serial number 70000
 - Ikelite DS200 above serial number 7163
- » **SEA&SEA, INON, Nikonos, and Ikelite non-DS strobes are not capable of powering the TTL Kit circuitry and thus will not provide TTL operation with this kit. These strobes may operate in manual power modes.**

Installation and Use

Removing the Hotshoe

Your housing came with a Manual Hotshoe installed. This hotshoe must be removed prior to installing the TTL kit.

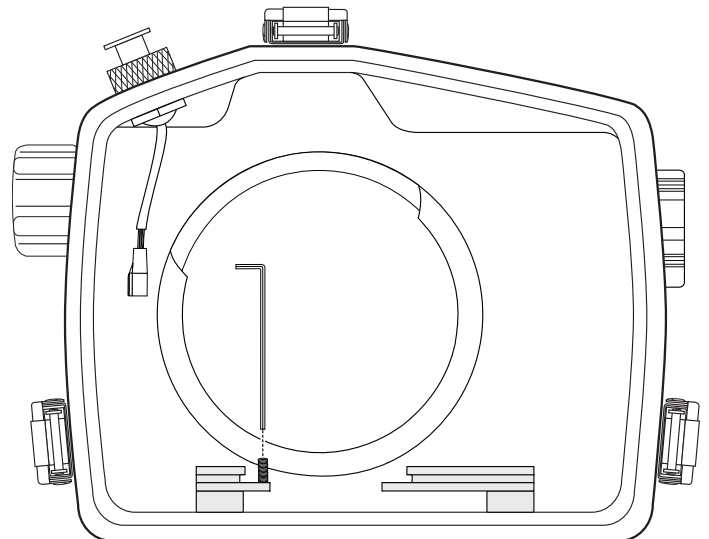
1. The hotshoe is attached by male connector to the female socket of the bulkhead. Depress the tab on the male connector.



2. Hold the female connector while gently pulling the male connector out of its socket.
3. Store the manual hotshoe in a small sealed plastic bag along with your spare parts.
4. The manual hotshoe may be reinstalled at a later time to bypass TTL operation.

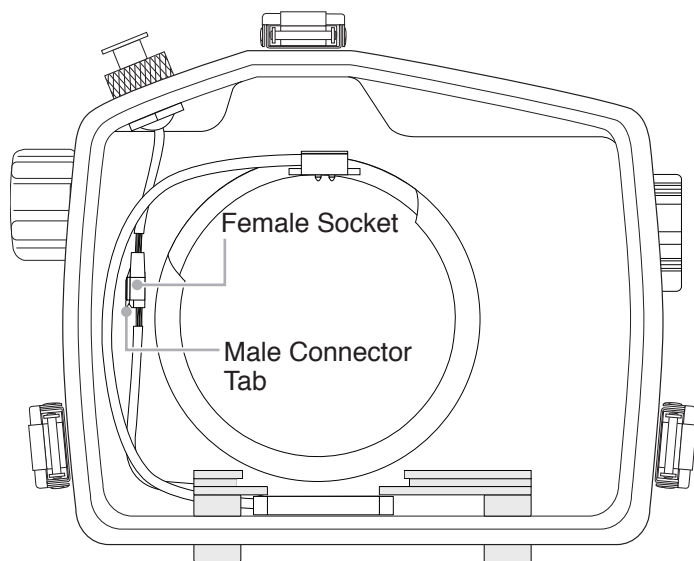
Installing the TTL Kit

1. Remove the camera mounting tray from the housing.
2. Using the included 1/16" hex key, loosen the set screw on the left side of the housing mounting tray.



3. Looking into the housing from the back, orient the TTL kit with the hotshoe on your left and the male connector end towards the front of the housing.
4. Slide the TTL kit into the center of the housing mounting tray. The male connector should come out the front of the housing mounting tray near the port opening.

5. Re-tighten the 1/16" set screw until it stops. Do not over-tighten.
6. Line up the Male Connector Tab with the Female Socket of the bulkhead and push together gently. The tab will click into place when properly connected.

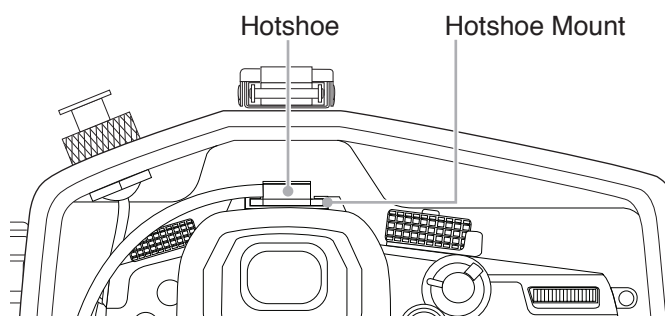


Setting Your Camera

1. The external flash settings menu is enabled in P, A, S, and M camera modes.
 2. In the Flash menu, set Flash Mode to "Forced Flash On".
 3. Turn HDR off.
 4. Turn Silent Mode off.
- » **External flash function is disabled when recording 6K/4K photos.**

Connecting Your Camera

1. Install your camera in the housing using the camera mounting tray.
2. Orient the arrow on the top of the TTL Kit hotshoe to point towards the front of the camera.
3. Slide the TTL kit hotshoe onto the camera's hotshoe.



4. Press the back of the hotshoe firmly to ensure that it is as far forward as possible in the camera Hotshoe Mount.

» **Failure to push the hotshoe far enough forward may result in lack of TTL or failure to fire strobes.**

Setting your Strobes

Your Ikelite DS strobe must be set to TTL for TTL exposure with this kit. Any flash EV compensation set in the camera will be added to or subtracted from the flash exposure.

Use of manual power settings will provide manual flash exposure.

Manual Flash

Manual Flash can be set on the camera if desired: S or M mode must be used to ensure that the flash will fire the red eye reduction preflashes every time. When red eye reduction mode is selected and the shutter release is pressed, 2 short bursts will be fired by the flash with a noticeable delay (about 1/3rd a second) before the main flash is fired.

After that, you are now in manual flash mode and the lightning bolt flash ready indicator will disappear from the monitor, and there will be no more preflashes.

To go back to TTL mode, power the strobe off and then on again, then change the camera from red eye reduction back to "fill-in flash."

Limited Warranty

This Ikelite product is warranted against any manufacturing defects for a period of one (1) year from the original date of purchase. To obtain warranty service, the product must be returned to Ikelite postage paid. Ikelite will, at its sole discretion, repair or replace such products, and will return to customer postage paid. All other claims of any nature are not covered. Except as mentioned above, no other warranty expressed or implied applies to this Ikelite product.